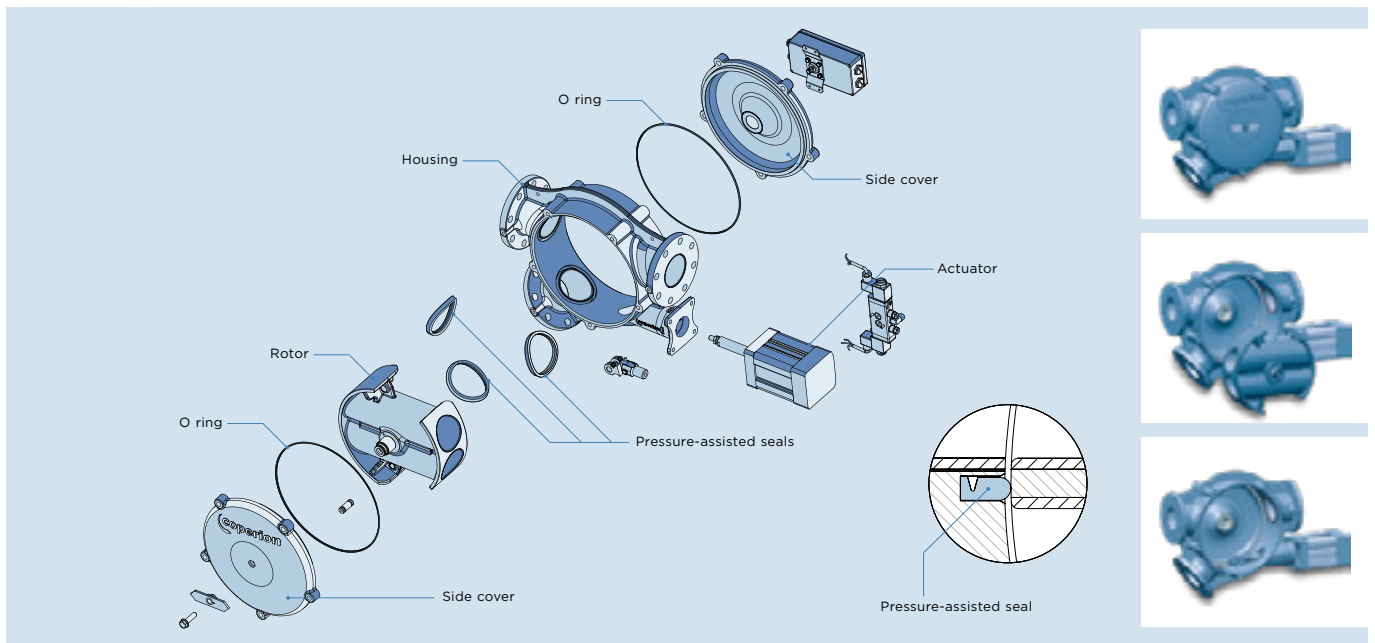


Two-Way Diverter Valve WZK

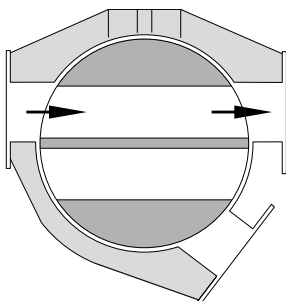


DUAL CHANNEL DIVERTER VALVE FOR GRANULAR PRODUCTS AND POWDERS

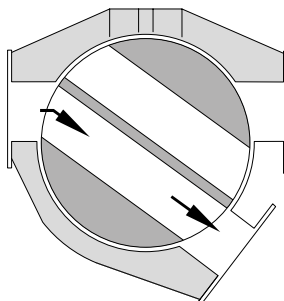
- _ Cylindrical design with pressure-assisted seals
- _ For installation in conveying lines or gravity pipes up to 5 barg (73 psi)
- _ The Coperion original, most commonly installed worldwide



Straight through



Diverted

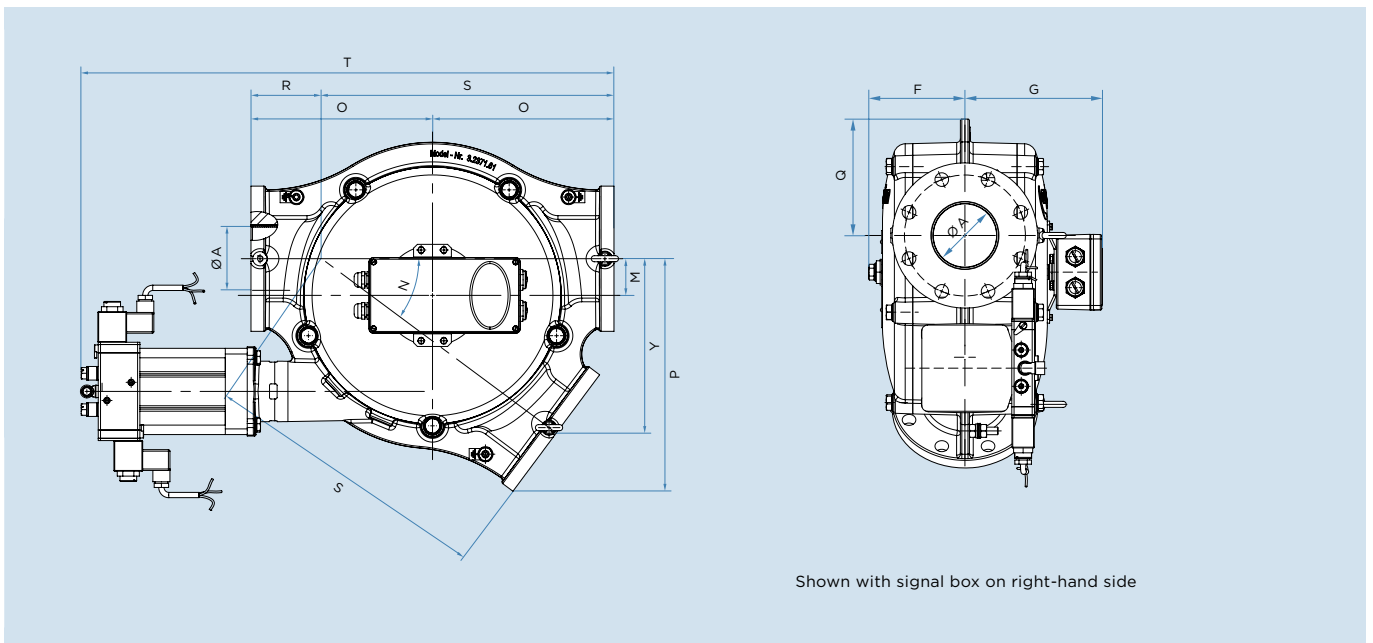


DIVERTER VALVE FOR GRANULAR PRODUCTS AND POWDERS | WZK

MAX. PRESSURE 5 barg (73 psi) system and differential pressure
OPERATION TEMPERATURE -20 °C to 100 °C
APPLICATION Suitable for fluid group 2 in accordance with PED (fluid group 1 upon request)
SEAL CONFIGURATION Pressure-assisted seals in the housing
MATERIAL Cast aluminum with stainless steel pipe insert (CR) or with reduced diameter (CD)

OPTIONS AND ACCESSORIES

- _ Can be used in ex-zones with proper accessories
- _ Wear protection
- _ Seal materials according to application
- _ Signal box on right or left side
- _ Quick cleaning design



| | Inlet*/Outlet* | | | | Other dimensions | | | | | | | | | | | Weight (appr. kg) | |
|---------|----------------|----------|----------|----------|------------------|-----|------|-------|-----|-----|-------|-----|------|------|-----|-------------------|--|
| | A (DIN) | A (ASME) | Ø A (CR) | Ø A (CD) | F | G | M | N | O | P | Q | R | S | T | Y | AL | |
| WZK 50 | DN 50 | 2" | 55.1 | 50.3 | 103 | 163 | 35 | 33.5° | 185 | 232 | 127,5 | 69 | 301 | 604 | 166 | 26 | |
| WZK 65 | DN 65 | 2,5" | 70.9 | 68.1 | 116 | 176 | 42.5 | 36.7° | 215 | 276 | 135 | 87 | 343 | 662 | 205 | 34 | |
| WZK 80 | DN 80 | 3" | 83.7 | 80.9 | 122 | 182 | 48.5 | 36.6° | 240 | 308 | 154 | 93 | 387 | 705 | 231 | 40 | |
| WZK 100 | DN 100 | 4" | 109.1 | 101.7 | 141 | 201 | 60.8 | 35.4° | 270 | 360 | 199 | 80 | 461 | 782 | 267 | 62 | |
| WZK 125 | DN 125 | 5" | 133.7 | 125.5 | 160 | 220 | 74 | 35.5° | 320 | 424 | 235 | 89 | 551 | 906 | 320 | 92 | |
| WZK 150 | DN 150 | 6" | 162.3 | 154 | 180 | 240 | 88.5 | 36° | 360 | 485 | 268 | 88 | 632 | 989 | 372 | 124 | |
| WZK 175 | DN 175 | 7" | 187.7 | 181.7 | 231 | 291 | 102 | 36° | 425 | 576 | 334 | 108 | 742 | 1172 | 436 | 203 | |
| WZK 200 | DN 200 | 8" | 213.1 | 207.1 | 242 | 302 | 117 | 35° | 500 | 640 | 393 | 129 | 871 | 1326 | 500 | 282 | |
| WZK 250 | DN 250 | 10" | 267.0 | 261 | 283 | 387 | 144 | 35.5° | 600 | 776 | 457 | 152 | 1048 | 1534 | 609 | 430 | |

Dimensions in mm * Drilled according to DIN PN 10 or ASME 16.5 class 150.