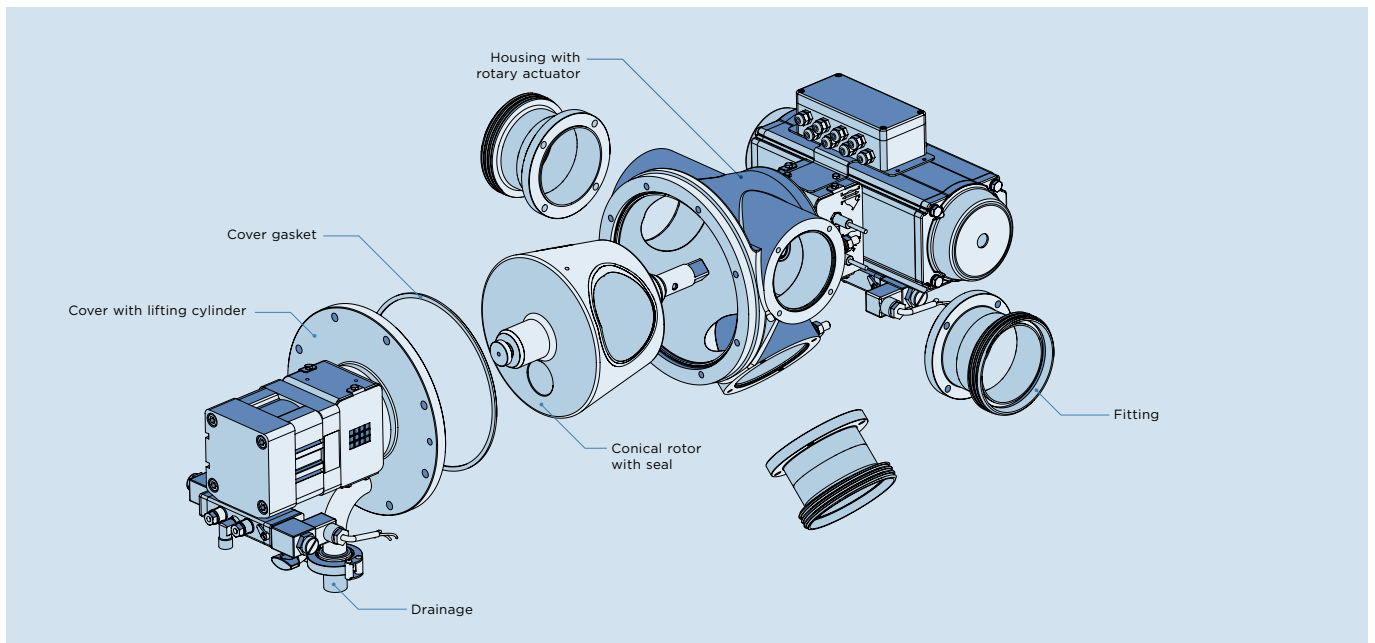


Two-Way Diverter Valve WYK



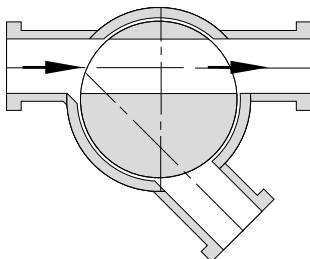
STAINLESS STEEL DIVERTER VALVE FOR GRANULAR PRODUCTS AND POWDERS

- _ Single-channel conical-form diverter valve for easier dismantling
- _ In sanitary and wet-cleanable CIP version
- _ For installation in conveying lines and gravity pipes up to 5 barg

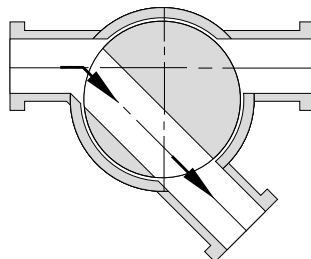


WYK-CIP:

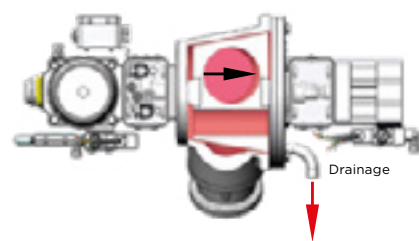
Pneumatic conveying, straight through



Pneumatic conveying, diverted 45°



CIP cleaning*, rotor extracted



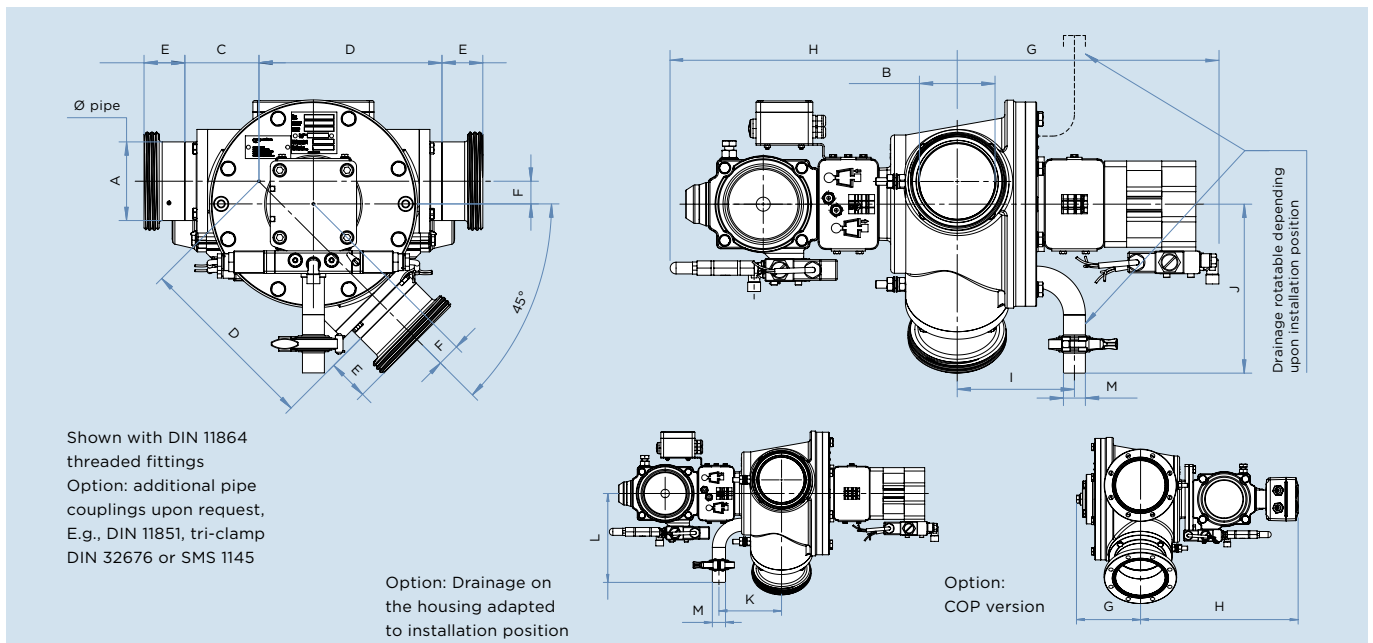
* CIP cleaning: During automatic cleaning, the rotor is extracted from the housing using the extraction cylinder, and completely flushed and purified by the cleaning medium.

DIVERTER VALVE FOR GRANULAR PRODUCTS AND POWDERS | WYK

MAX. PRESSURE	5 barg (73 psi) system and differential pressure
OPERATION TEMPERATURE	-20 °C to 100 °C
APPLICATION	Suitable for fluid group 2 in accordance with PED (fluid group 1 upon request)
SEAL CONFIGURATION	Elastomer seal as well as tight clearances between rotor and housing
MATERIAL	Stainless steel
SURFACE	Product wetted parts Ra = 0,8 µm

OPTIONS AND ACCESSORIES

- _ Sanitary construction for fully automatic and residue-free CIP cleaning (Cleaning In Place) with no dismantling or manual cleaning
- _ Can be used in ex-zones with proper accessories
- _ Option: "Standard" version without CIP function



	Inlet/Outlet			Other dimensions				CIP version							Standard version		Weight (appr. kg)		
	A (DIN)	A (ASME)	Ø Rohr	B	C	D	E	F	G	H	I	J	K	L	Ø M	G	H	Standard	CIP
WYK 65	DN 65 - DIN 11864-1	2 1/2"	70 x 2	66	47	143	85	20	324	354	124	176	103	157	19 x 1.5 (DN 15)	130	329	35	44
WYK 80	DN 80 - DIN 11864-1	3"	85 x 2	81	55	175	94	25	329	361	134	196	116	174	23 x 1.5 (DN 20)	138	333	48	54
WYK 100	DN 100 - DIN 11864-1	4"	104 x 2	100	68	212	94	30	346	380	155	223	138	196	29 x 1.5 (DN 25)	146	377	73	77
WYK 125	DN 125 - DIN 11864-2	5"	129 x 2	125	76	245	88	35	361	391	170	291	154	226	35 x 1.5 (DN 32)	162	400	99	100
WYK 150	DN 150 - DIN 11864-2	6"	154 x 2	150	88	282	95	40	376	407	190	279	174	244	1 x 1.5 (DN 32)	177	415	128	128

Dimensions in mm

Other sanitary flanges are possible.