

Application

The K4G Continuous Gravimetric Blender System was designed with the specific requirements of the plastics processing industry in mind. The compact design and low space requirements of the K4G integrated system allow up to six feeders with Coperion K-Tron vacuum receivers to be easily grouped around an extruder inlet. Single stations are also available.

A wide variety of standard feeders can be integrated into the K4G single-point weighing system, depending on the feeding requirements. BS60 single screw feeders, Bulk Solids Pump feeders and Series 2400 receivers are designed for handling free flowing bulk materials. Twin-screw feeders and P-Series filtered receivers can handle powders and non-free-flowing materials.

The photos below show a K4G blender system with six feeders (right) and a K4G system with four feeders and integrated receivers for automatic refill (left).

Design

The K4G Blender System features a robust frame design with integrated support options for Coperion K-Tron conveying and refill systems as an option.

The system features: modular base plate, pivoting axle SFT-III support, central K4G collection hopper with pre-cut feeding ports, refill support stand with modular component build up.

General cabling is inside protected conduits. Each system component is suspended from a single point and can therefore be swung out on its axis, independent of any auxiliary devices. This allows easy cleaning or replacement of equipment modules, e.g. the feeder screw, as well as sampling.

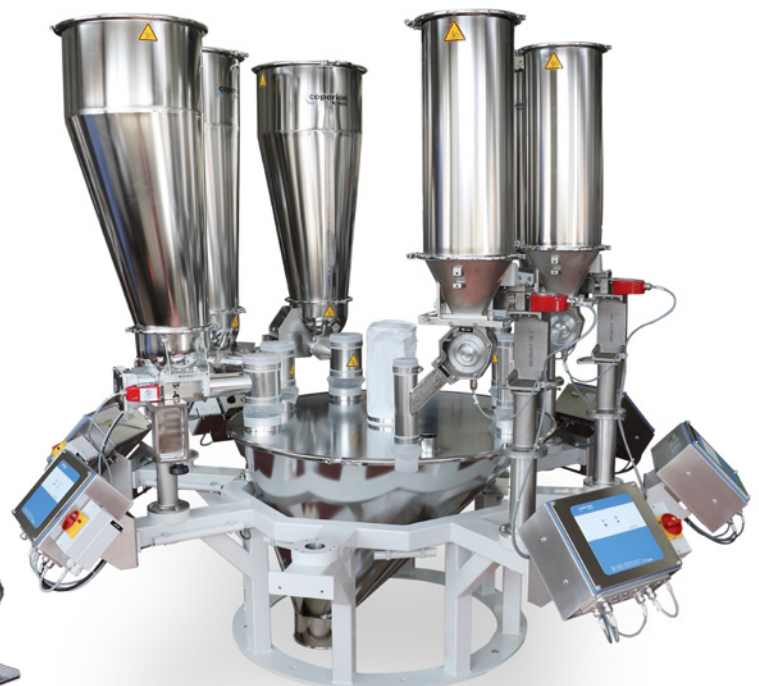
The system is completely modular; feeders and conveyors can be exchanged or removed as needed.

The following units are available in K4G versions:

- BS60 Single Screw Feeder (up to 60mm diameter)
- KT20 Twin Screw Feeders for Powder
- KQx4 Single Screw Feeder for low feed rates
- BSP-100 Bulk Solids Pump Feeder
- BSP-135 Bulk Solids Pump Feeder
- Series 2400 single loaders & central receivers
- P-Series P10 or P30 central receivers

For higher feed rates or special agitation needs, Coperion K-Tron modular loss-in-weight feeders with three-point-weighing systems can also be integrated into the same stand.

Each feeder is equipped with an individual SmartConnex control module featuring integrated support for single loaders.

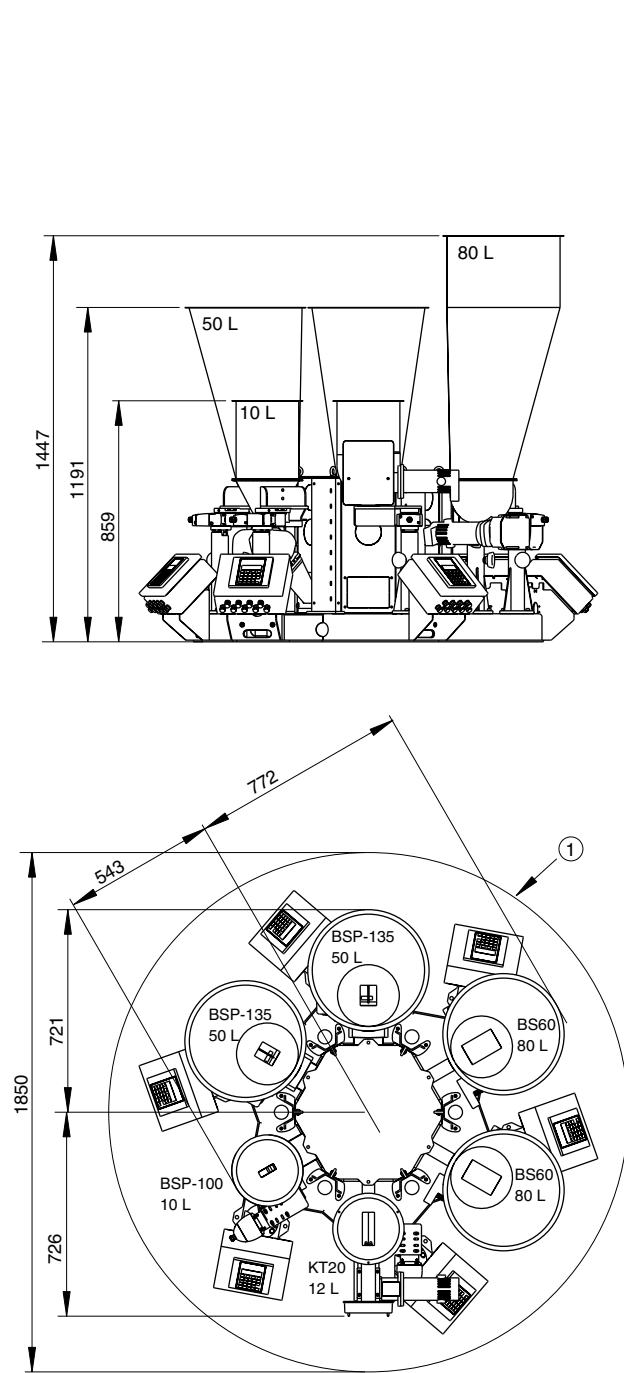


The photo and graphics shown here and on the reverse represent sample configurations. Detailed dimensional drawings are available on request.

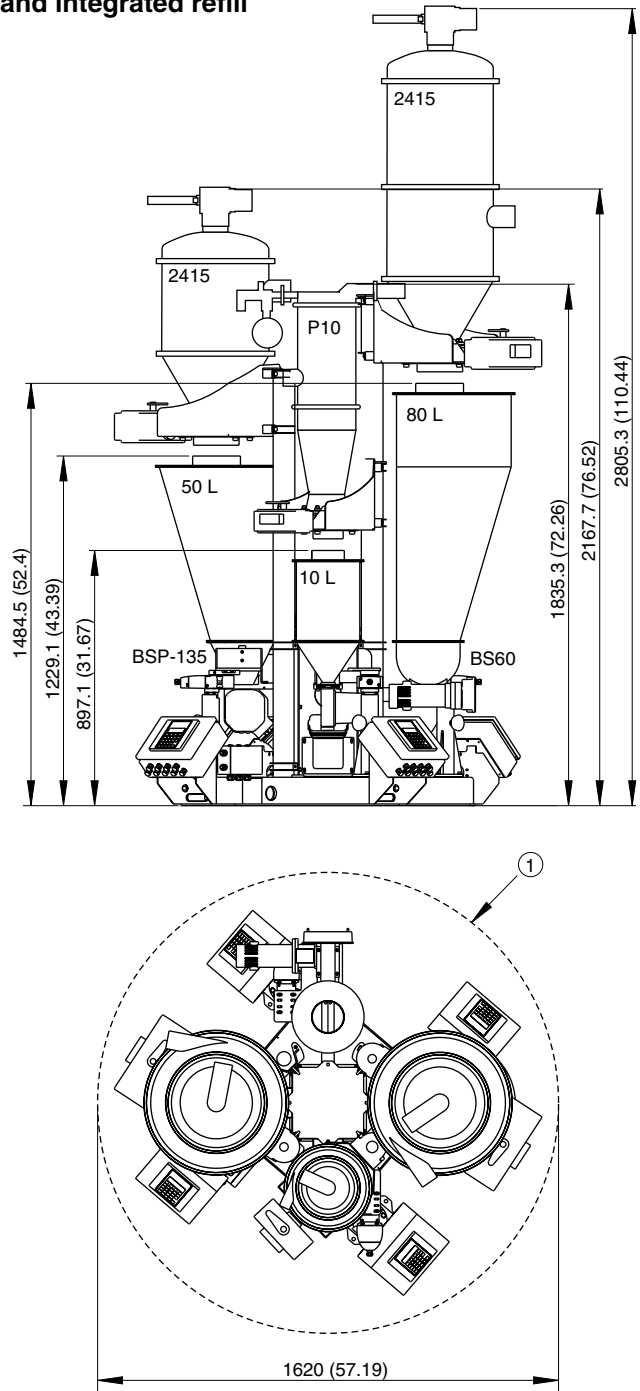
Dimensions mm (in)

Detailed dimensional drawings for groups of four or six feeders are available on request.

K4G system with six units



K4G system with four units and integrated refill



Not certified drawings.

① Max. space required to swing out feeders & refill units

Caution: these measurements are for general reference only. Please consult dimensional drawing for exact measurements